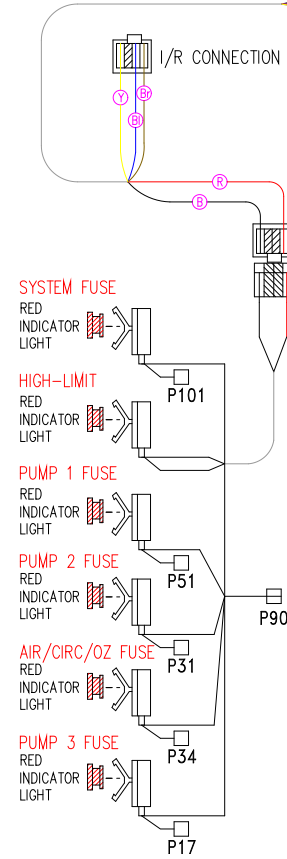
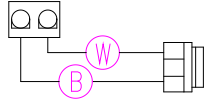
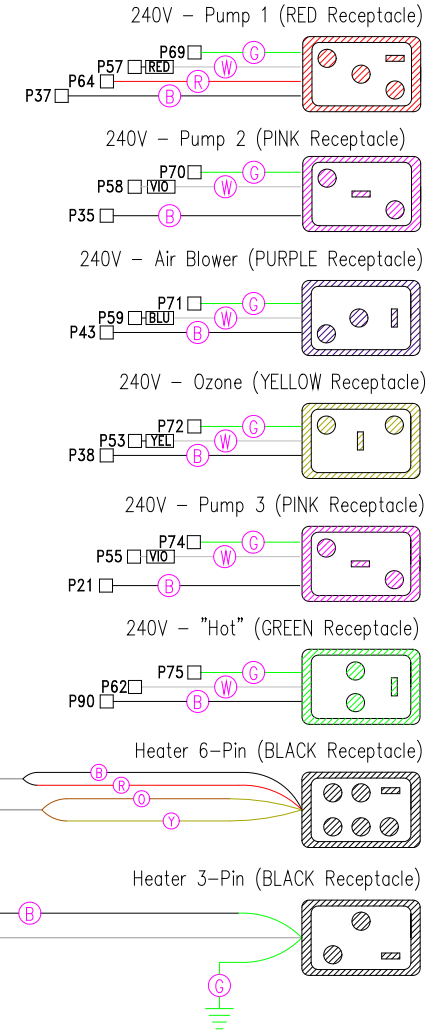
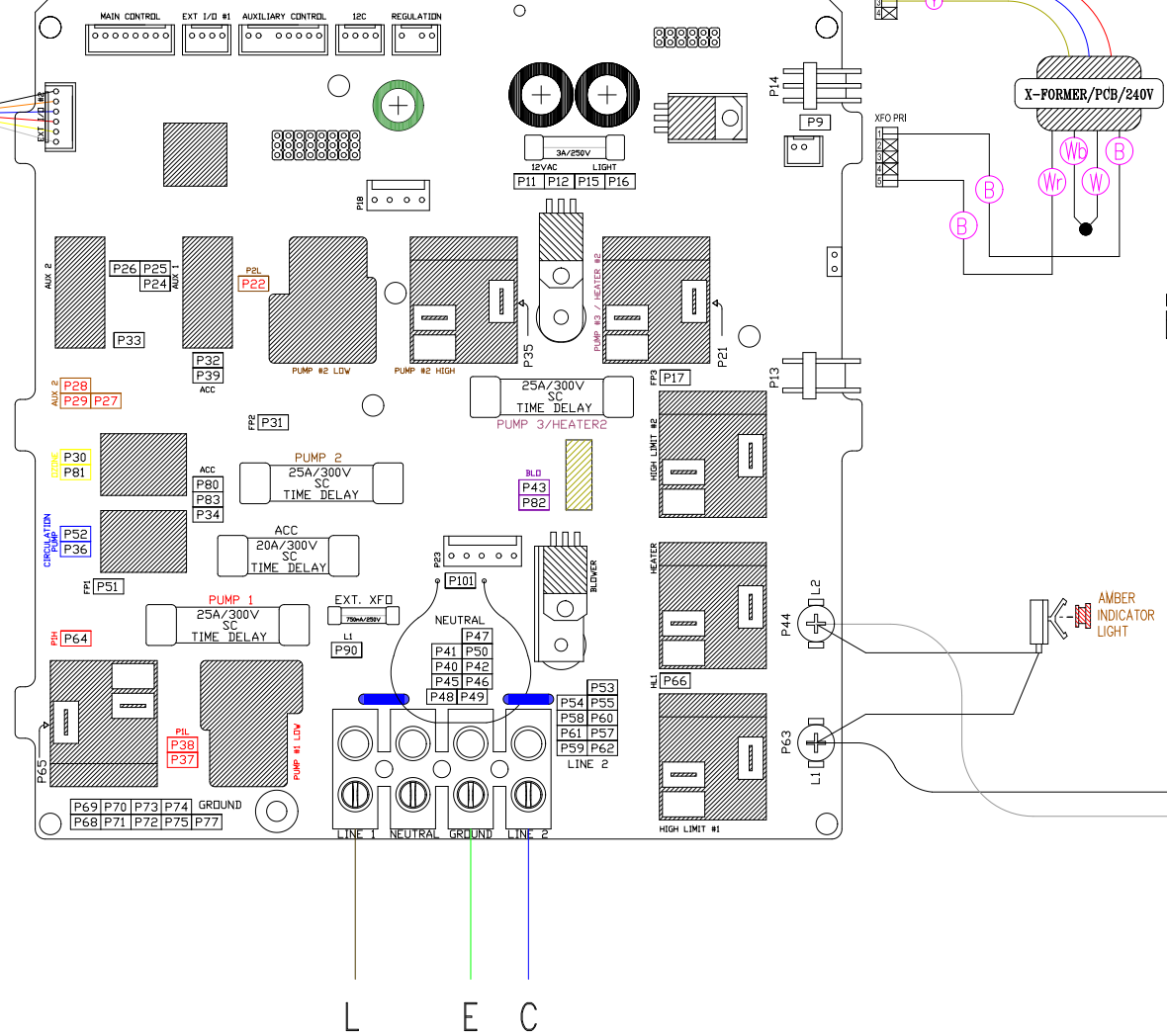


12V Light (White 2-Pin)



33-0025A-R8



HYDROQUIP

510A N. Sheridan Street | Corona, CA 92880
Tel: (951) 273-7575 | Fax: (800) 332-7190

Manufacture Notes:

Dwg. No.	Drawn	Rev	Wire Color Code
Date	BH	3	
Diagram No.			
	05.15.07		B - Black Br - Brown R - Red O - Orange Y - Yellow
			G - Green Bl - Blue V - Violet W - White Gr - Grey